

SUPPLEMENTAL ASSEMBLY SHEET

KID COMFORT SWING / SHOE LOOP

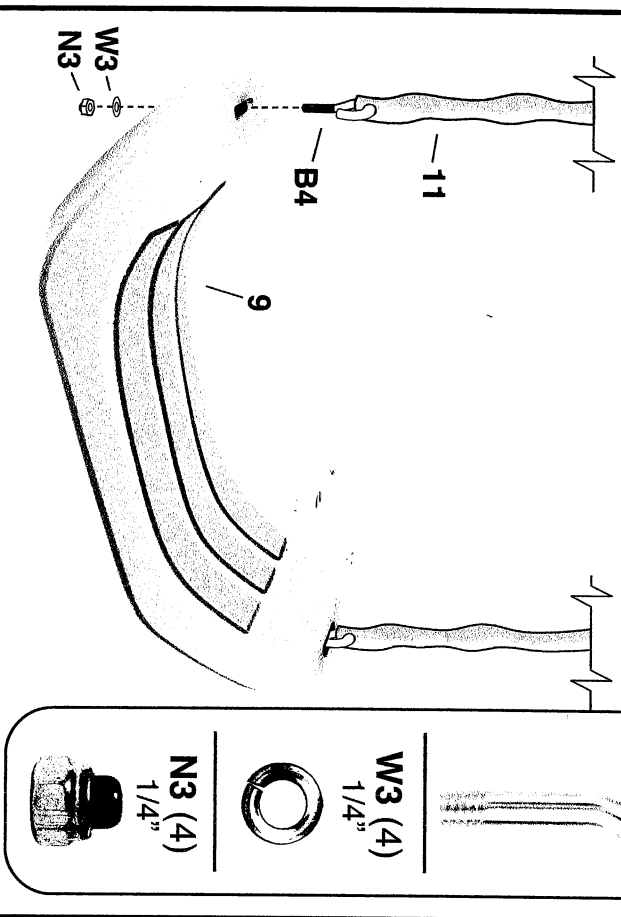
CHICO COMODIDAD SWING / LOOP ZAPATO

ID CONFORT SWING / CHAUSSURES BOUCLE

17B

Attach Kid Comfort Swings to Chains

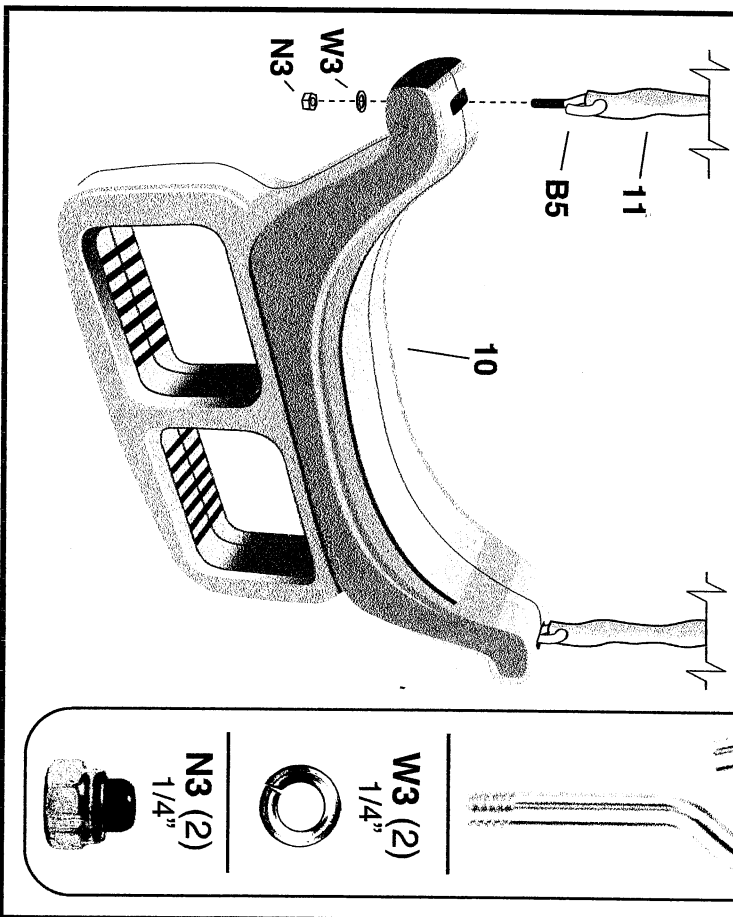
Una los oscilaciones de la comodidad del cabrito a las cadenas
 Attachez les oscillations de confort de gosse aux chaînes



17C

Attach Shoe Loop Swing to Chains

Adjuntar zapato bucle Swing a las cadenas
 Joindre chaussures boucle Swing à des chaînes



SUPPLEMENTAL ASSEMBLY SHEET

For 41578T - Fun Fantastic II

Please use this Supplemental Assembly Sheet to Assemble the SHOE LOOP SWING with the noted Hardware -

- #10 Shoe Loop Swing, Green P/N: 7btmp00-06777
- B5A Eye Bolt 1/4" x 1-1/8" P/N: 7282262-0000 (in extra Bag) along with W3 - 1/4" Lockwasher and N3 - 1/4" Dome Nut

Please call: 1.888.350.3015 or cservice@flexible-flyer.com for help if needed

Addendum P/N: 7MNL41578AD