

"TIPS" FOR "CORRECT" SLIDE ASSEMBLY

HELPFUL UPDATES TO YOUR ASSEMBLY MANUAL FOR MODEL# 44552T

HAVING A HELPER IS STRONGLY RECOMMENDED WHEN ASSEMBLING THIS SLIDE ASSEMBLE ON A FLAT DRY SURFACE

Tips for Step 11 and Step 12 (in your owner's manual)

Assembling Slide Bed and Support Tubes

Step 11 - Use instructions in your manual, PLUS the following.

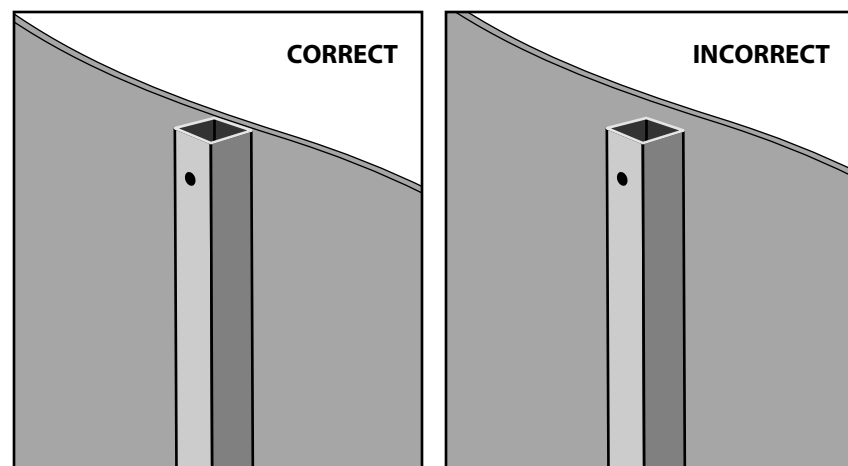
Pre-bend the ends of the Slide Bed. This will ease assembly when inserting it into the sharp curves at the ends of the groove in the Slide Rail.

It is very important that the Slide Bed is fully seated into the groove of the Right (R) Slide Rail.

Step 12 - Use instructions in your manual, PLUS the following.

The ends of the Support Tubes MUST be even/flush with the edge of the Slide Bed, as shown in the illustration below. It is very important that BOTH the Slide Bed and Support Tubes are FULLY seated into the groove, and designated pockets of the Right (R) Slide Rail.

Insert Screws (S2) starting at the top/back-end of the Slide Rail as shown in Step 12 of your manual - through Slide Rails, through Support Tubes and through Slide Bed.



FLEXIBLE FLYER
 CREATING FUN SINCE 1889
 11495 Hwy. 57 • Moscow, TN 38057
Customer Service 1-888-350-3015

Scan this QR code with your smartphone or smart device to access assembly instruction video



Or visit www.flexible-flyer.com/video_slide_kd.html

REVISED STEP 13 - Do not use Step 13 on page 17

13 Attach Left (L) Slide Rail

Adjuntar Izquierda (L) Rail Slide
 Fixez gauche (L) rail coulissant

Lay Left (L) Slide Rail on horizontal surface with groove facing up.

Begin aligning partially assembled Slide Bed and Support Tubes into groove and designated pockets of Left (L) Slide Rail.

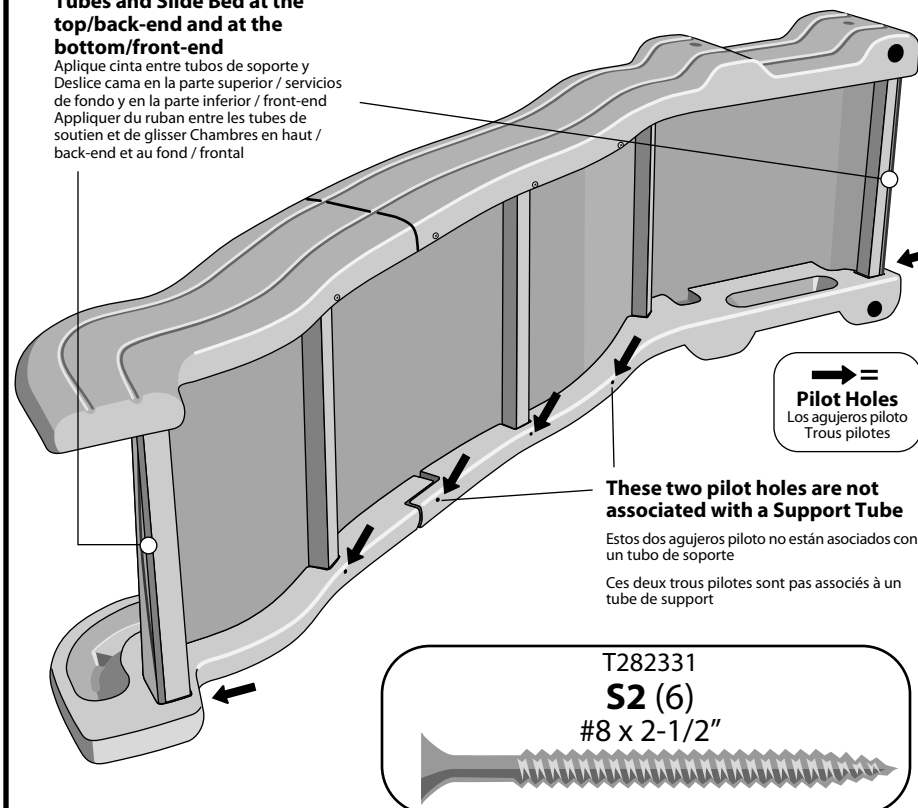
Secure with screws (S2), at each of the six pilot hole locations - starting at the top/back end of the Slide Rail. Have a helper hold down the Slide Rail to insure proper seating of Slide Bed and Support Tubes when inserting screws.

Note: Two of the pilot holes on each Slide Rail are not associated with a Support Tube.

After assembly, the Slide Bed may bulge at both ends. Use supplied double-sided tape as indicated below. Use one at top/back-end and the other at bottom/front-end.

Apply tape between Support Tubes and Slide Bed at the top/back-end and at the bottom/front-end

Aplice cinta entre tubos de soporte y Deslice cama en la parte superior / servicios de fondo y en la parte inferior / front-end
 Appliquer du ruban entre les tubes de soutien et de glisser Chambres en haut / back-end et au fond / frontal



→ = Pilot Holes
 Los agujeros piloto
 Trous pilotes

These two pilot holes are not associated with a Support Tube
 Estos dos agujeros piloto no están asociados con un tubo de soporte
 Ces deux trous pilotes sont pas associés à un tube de support

